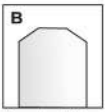
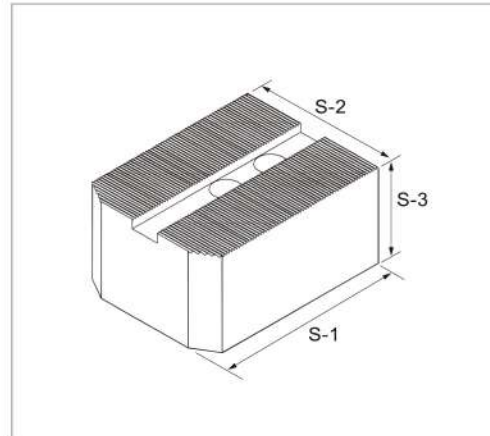


EXTRA-WIDTH TYPE



Standard Type

- Standard Type only.
- For other angle, please find page13.

▶ FEATURE

- ▶ Soft jaws of extra-width type are suitable for thinner, deformable and bigger covering range of parts enable to decrease deformation and increase the accuracy.
- ▶ Such as outer dia. 60mm will need 60mm of extra-width type of soft jaws.

▶ DIMENSIONS

UNIT: mm

SJ06

ORDER NUMBER	DIMENSION					Excursus
	Length S-1	Width S-2	Height S-3	Serration Pitch		
SJ0603048B	73	48	30	1.5x60°		
SJ0603060B	73	60	30	1.5x60°		
SJ0603080B	73	80	30	1.5x60°		
SJ0604848B	73	48	48	1.5x60°		
SJ0604863B	73	63	48	1.5x60°		
SJ0606060B	73	60	60	1.5x60°		
SJ0607070B	73	70	70	1.5x60°		

- Material: Steel (S45C)
- Serration Pitch: 1.5mmX60°
- To suit kitagawa and other famous chucks.

SJ08

ORDER NUMBER	DIMENSION					Excursus
	Length S-1	Width S-2	Height S-3	Serration Pitch		
SJ0803648B	95	48	36	1.5x60°		
SJ0803663B	95	63	36	1.5x60°		
SJ0803680B	95	80	36	1.5x60°		
SJ0804848B	95	48	48	1.5x60°		
SJ0804873B	95	73	48	1.5x60°		
SJ0804890B	95	90	48	1.5x60°		
SJ0806363B	95	63	63	1.5x60°		
SJ0807373B	95	73	73	1.5x60°		
SJ0808383B	95	83	83	1.5x60°		

SJ10

ORDER NUMBER	DIMENSION					Excursus
	Length S-1	Width S-2	Height S-3	Serration Pitch		
SJ1004263B	110	63	42	1.5x60°		
SJ10042100B	110	100	42	1.5x60°		
SJ1004873B	110	73	48	1.5x60°		
SJ1006363B	110	63	63	1.5x60°		
SJ1007373B	110	73	73	1.5x60°		
SJ1008383B	110	83	83	1.5x60°		